



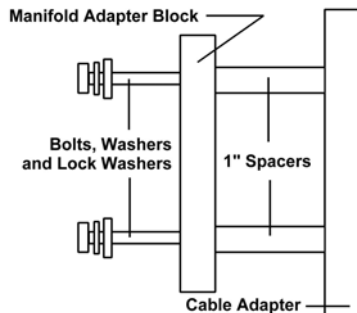
304 Smokey Lane North Little Rock, Arkansas 72117 Phone: (501) 945-0354 FAX: (501) 945-0370
www.StreetandPerformanceElectronics.com

Helix Power Tower PLUS **Installation Instructions**

(2001-2004 JEEP Cherokee 4.7L Part #47035)

Important! Read all instructions before you begin installation.

1. Loosen and remove the air duct assembly from the air cleaner to air-diffuser. Remove the two 10mm bolts that retain the air-diffuser to intake. Unclamp the air-diffuser and remove from vehicle.
2. Release the throttle and cruise control cable from intake manifold bracket. Remove the throttle and cruise control cables from throttle body. Remove the three 8mm bolts from the throttle body and lay the throttle body to the side.
3. Assemble the cable extender by bolting the cable adapter to the manifold adapter block, using the washers and bolts with a one-inch spacer in between the adapters (see illustration).
4. Reinstall cables in throttle extender bracket included in the kit. Install the assembled extender bracket into the cable guide on the intake manifold.
5. Install the Helix Power Tower PLUS (engraved side towards throttle body) in between the intake and throttle body. Use the longer bolts provided to secure the throttle body to the intake. Tighten the bolts to 10 Nm (89 lb/in).
6. Loosely attach the 3.5" coupler to throttle body. Insert power tube (included in kit) into rubber coupler. Tighten the coupler clamp on both throttle body and power tube. Reinstall the air duct to the air cleaner and crankcase hose to power tube.



Parts List

- 1 Helix Power Tower PLUS
- 3 6mm x 60mm bolts
- 5 6mm washers
- 1 3.5" rubber coupler w/clamps
- 1 Power Tube
- 1 Manifold adapter block
- 2 6mm x 40mm bolts
- 2 6mm lock washers
- 2 one-inch spacers
- 1 Cable adapter