



304 Smokey Lane North Little Rock, Arkansas 72117 Phone: (501) 945-0354 FAX: (501) 945-0370
 www.StreetandPerformanceElectronics.com

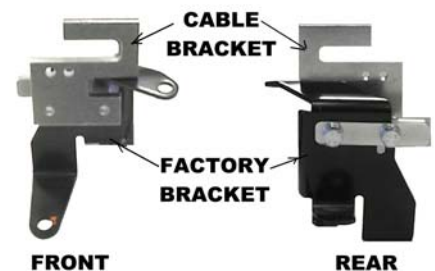
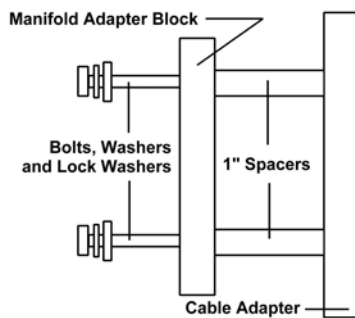
Helix Power Tower PLUS

Installation Instructions

(2002 Ram 4.7L Part #47015)

Important! Read all instructions before you begin installation.

1. Unbolt and remove air resonator and air inlet tube. Disconnect the control cables from throttle body.
2. Unbolt and remove air muffler bracket from front of engine. Remove lower bracket bolt and install into alternator position. Install bracket, washer and spacer with longer bolt provided, onto engine. Use the 7/16" nut and lock washer provided to secure the bracket. This moves the bracket forward one-inch to hold air muffler.
3. Unbolt and remove air muffler bracket from front of engine. Install bracket, lock washer and spacer with longer bolt provided. This is to spacer the muffler bracket forward one-inch, after the spacer install.
4. Remove three retaining bolts holding throttle body to the intake manifold.
5. Install the Helix Power Tower PLUS (engraved side towards throttle body) in between the intake and throttle body. Use the longer bolts provided to secure the throttle body to the intake. Tighten the bolts to 10 Nm (89 lb/in).
6. Remove cables from intake manifold bracket. Assemble the adapter block, bolts, washers, spacers, and cable retainer together. Install cables into new bracket. Slide assembly into manifold bracket.
7. Attach the housing extensions to the air housing and reassemble the housing to the intake manifold. Reinstall the transfer hose to the housing and to the air cleaner assembly. Make sure all the clamps and bolts are properly attached and torqued to specification.



Parts List

- 1 Helix Power Tower Plus
- 3 6mm x 60mm bolts
- 5 6mm flat washers
- 1 Cable adapter block
- 1 Manifold adapter block
- 3 1-inch spacers (1-10mm, 2-6mm)
- 2 6mm x 50mm bolts
- 2 6mm lock washers
- 2 6mm countersunk bolts
- 2 Extenders
- 1 10mm x 130mm bolt
- 1 7/16" lock washer