



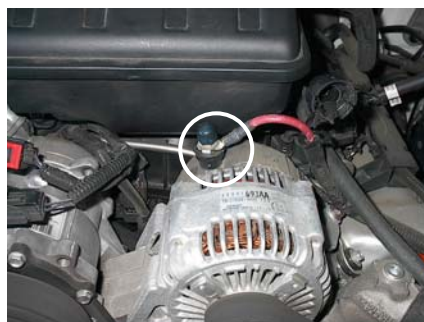
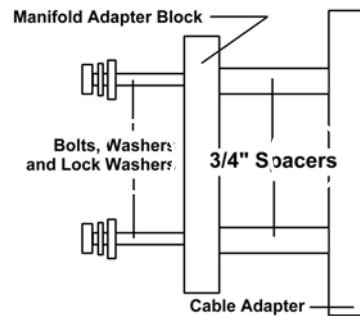
304 Smokey Lane North Little Rock, Arkansas 72117 Phone: (501) 945-0354 FAX: (501) 945-0370

## Helix Power Tower Installation Instructions

(2002-2006 Jeep Liberty 3.7L V-6 Part #37055)

**Important! Read all instructions before you begin installation.**

1. Unbolt and remove air resonator and air inlet tube. Disconnect the control cables from throttle body. Remove the two locating studs from intake manifold (Note: 2004 do not have these studs).
2. Remove three bolts retaining the throttle body to the intake manifold.
3. Install Helix Power Tower Plus, gasket and throttle body to intake manifold, using the supplied longer bolts and washers. Tighten the bolts to 10 Nm (89 lb/in).
4. Remove cables from intake manifold bracket. Assemble the adapter block, bolts, washers, spacers, and cable retainer together. Install cables into new bracket. Slide assembly into manifold bracket.
5. Reattach the cable(s) to throttle body. 2004 models install air inlet tube to throttle body and tighten clamp.
6. Release alternator protector cap from battery lead on alternator. Install rubber cap onto battery lead on alternator. Reinstall the air diffuser to throttle body. Using the 3/4" spacers and longer bolts, secure the air diffuser to the intake manifold. Reinstall the two crankcase hoses and air inlet duct.



### Parts List

- 1 Helix Power Tower Plus
- 1 Gasket
- 3 6mmx50mm bolts
- 5 6mm washers
- 4 3/4" spacers
- 1 Cable adapter block
- 1 Manifold adapter block
- 2 6mmx35mm bolts
- 2 6mm lock washers
- 1 6mm countersunk bolt
- 1 Rubber cap
- 2 6mmx 2 1/4" screws
- 2 rubber-back washers