



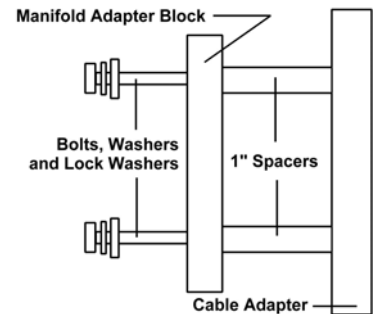
304 Smokey Lane North Little Rock, Arkansas 72117 Phone: (501) 945-0354 FAX: (501) 945-0370
www.StreetandPerformanceElectronics.com

Helix Power Tower Installation Instructions

(2002-2004 Ram 1500 3.7L V-6 Part #37045)

Important! Read all instructions before you begin installation.

1. Unbolt and remove air resonator and air inlet tube. Disconnect the control cables from throttle body.
2. Unbolt and remove air muffler bracket from front of engine. Install bracket, lock washer and spacer with longer bolt provided. This is to spacer the muffler bracket forward one-inch, after the spacer install.
3. Remove three retaining bolts holding throttle body to the intake manifold.
4. Install Helix Power Tower Plus (engraved side facing the throttle body), gasket and throttle body to intake manifold using the supplied longer bolts and washers. Tighten the bolts to 10 Nm (89 lb/in).
5. Remove cables from intake manifold bracket. Assemble the adapter block, bolts, washers, spacers, and cable retainer together. Install cables into new bracket. Slide assembly into manifold bracket.
6. Reinstall the air resonator to the throttle body. Attach the extender to the OE location (driver-side) with the 6mm countersunk bolt. Next, join the air resonator to the brackets with the OE hardware. Install the air inlet tube to the air resonator and air cleaner assembly.



Parts List

- 1 Helix Power Tower Plus
- 1 Gasket
- 3 6mmx60mm bolts
- 5 6mm flat washers
- 1 Cable adapter block
- 3 1-inch spacers (1-10mm, 2-6mm)
- 2 6mmx40mm bolts
- 2 6mm lock washers
- 1 6mm countersunk bolt
- 1 Extender
- 1 10mmx130mm bolt
- 1 10mm lock washer